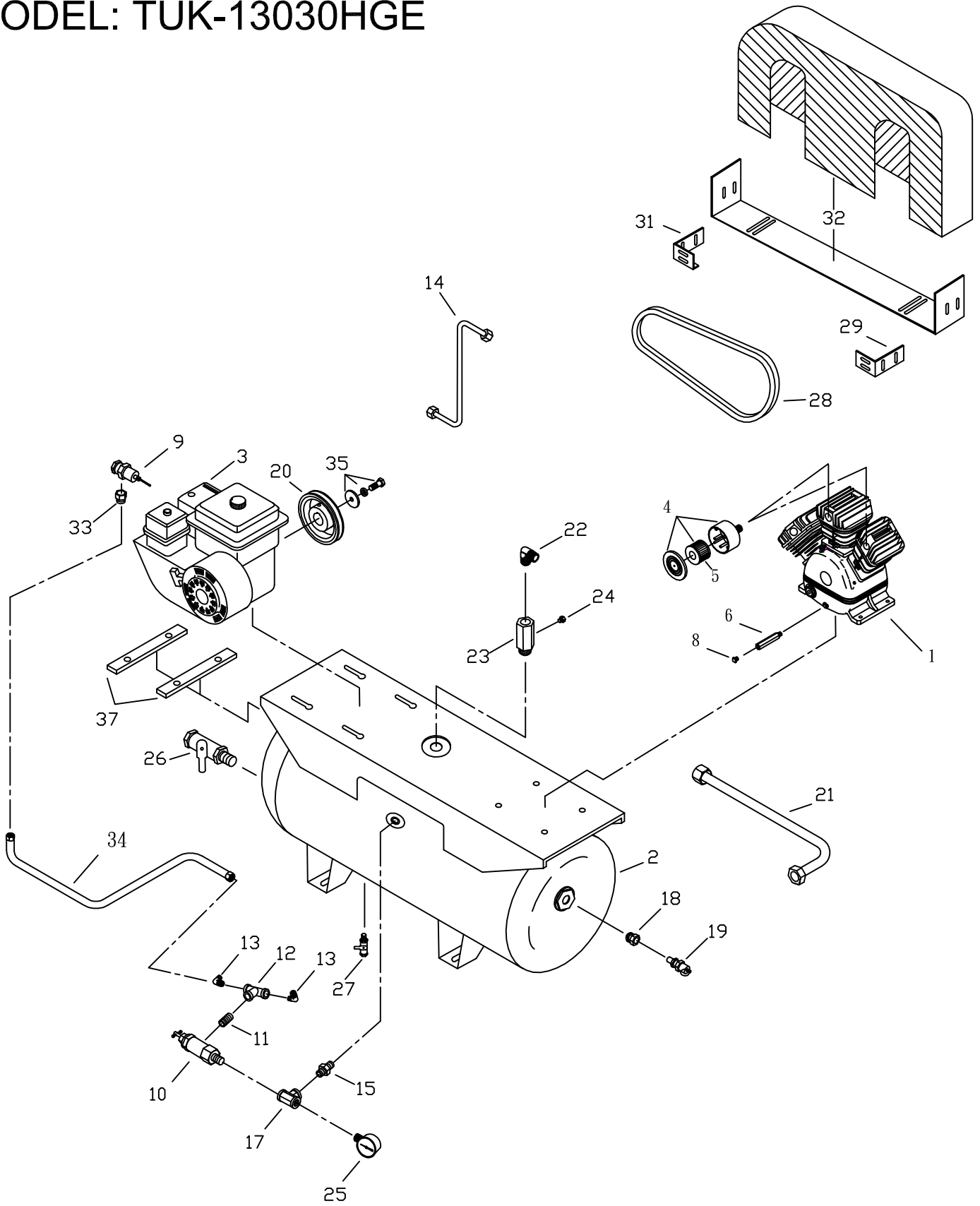


MODEL: TUK-13030HGE



PARTS LIST

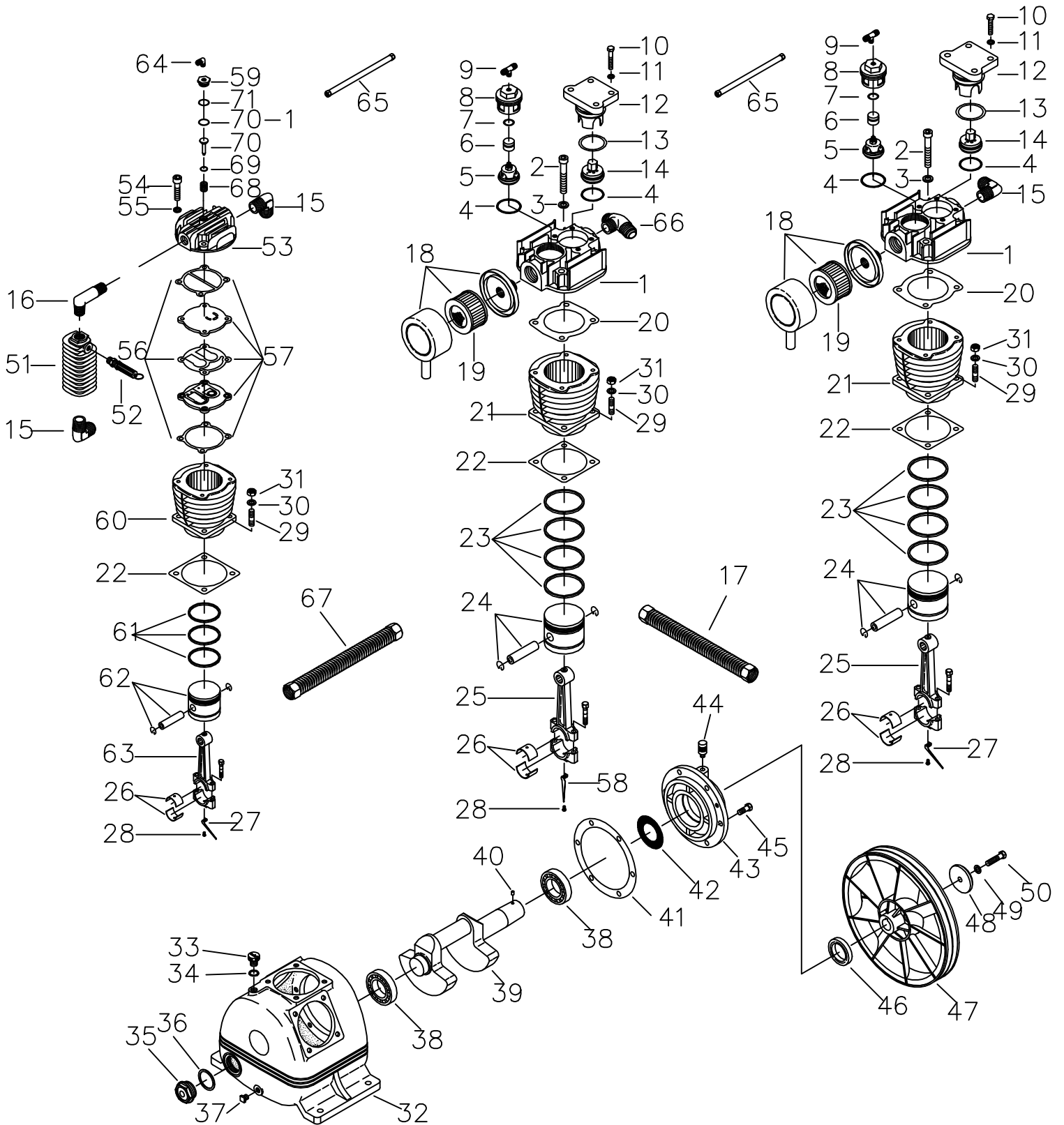
Model: TUK-13030HGE

VER.: VA-001

| REF. NO. | PARTS ID. | DESCRIPTION | QUANTITY |
|----------|-----------------|---|----------|
| 1 | TUK50 | PUMP | 1.00 |
| 2 | 4001-30H2 | TANK | 1.00 |
| 3 | 028-130HE | ENGINE: HONDA 13 HP W/ STARTER | 1.00 |
| 4 | 2140009A | AIR FILTER ASSEMBLY (INCLUDING ELEMENT) | 2.00 |
| 5 | 1801 (2142002) | FILTER ELEMENT | 2.00 |
| 6 | 2305010 | OIL DRAIN TUBE | 1.00 |
| 8 | 2N33-002 | PLUG | 2.00 |
| 9 | 031-H130P175RC | ENGINE THROTTLE CONTROL (ACTUATOR) | 1.00 |
| 10 | 041-PV175MN-000 | PILOT VALVE | 1.00 |
| 11 | 035-01N-C00 | CLOSE NIPPLE | 1.00 |
| 12 | 067-01FFFN-00 | TEE | 1.00 |
| 13 | 024-02RN01MN-00 | ELBOW W/ SLEEVE RING FITTING | 2.00 |
| 14 | 063-CU01X480 | TUBE (PILOT VALVE - PUMP HEAD UNLOADER) | 1.00 |
| 15 | 035-02NX10-H00 | NIPPLE | 1.00 |
| 17 | 067-02FFFN-00 | TEE | 1.00 |
| 18 | 050-06MN02FN | REDUCE BUSHING | 1.00 |
| 19 | 84006010 | PRESSURE RELIEF VALVE | 1.00 |
| 20 | 2AH49 | PULLEY | 1.00 |
| 20 | 048A-H10SS-000 | PULLEY BUSHING | 1.00 |
| 21 | 2T02-060900 | DISCHARGE TUBE | 1.00 |
| 22 | 2N06-06T06H | ELBOW | 1.00 |
| 23 | CV3434M | CHECK VALVE | 1.00 |
| 24 | 046-01N-SH00 | PLUG | 1.00 |
| 25 | 2D12-20V20K | PRESSURE GAUGE | 1.00 |
| 26 | 2413007 | SERVICE VALVE | 1.00 |
| 27 | 2413020 | DRAIN VALVE | 1.00 |
| 28 | 2N31-A72 | BELT A72 | 2.00 |
| 29 | 3427029 | BRACKET - RIGHT | 1.00 |
| 31 | 3427009 | BRACKET - LEFT | 1.00 |
| 32 | 3426036 | BELT GUARD | 1.00 |
| 32 | 3427203 | BELT GUARD BOTTOM COVER | 1.00 |
| 33 | 070-0108N-01 | NUT | 1.00 |
| 33 | 070R-01N-01 | SLEEVE | 1.00 |
| 34 | 063-NL01X840 | TUBE (PILOT VALVE - PNEUMATIC THROTTLE CONTROL) | 1.00 |
| 35 | 068-03N24X10H5 | BOLT | 1.00 |
| 35 | 066-I03-L00 | LOCK WASHER | 1.00 |
| 35 | 066-I03XO14-F00 | FENDER WASHER | 1.00 |
| 37 | 3427129 | ENGINE MOUNTING BRACKET | 2.00 |

MODEL : TUK50

NO: MP-0107A



TUK50 BARE PUMP PARTS LIST

NO: MP-0107A

| REF. NO | DESCRIPTION | PART NO. | QTY. | REF. NO | DESCRIPTION | PART NO. | QTY. |
|---------|-------------------------------|-----------------|------|---------|-------------------------------|-----------------|------|
| 1 | Cylinder head | 3101048 | 2 | 37 | Plug - Oil draining | 2N33-002 | 1 |
| 2 | Hex socket head bolt | 2B01-M10*055 | 8 | 38 | Bearing | 2N35-6306 | 2 |
| 3 | Split lock washer | 2B33-M10 | 8 | 39 | Crankshaft | 3304025 | 1 |
| 4 | Washer - Inlet / Outlet Valve | 2B31-001 | 4 | 40 | Pulley key | 2N47-63*09 | 1 |
| 5 | Inlet valve assembly | 3B12-PU23 | 2 | 41 | Gasket - Rear bearing end | 2G06-002 | 1 |
| 6 | Piston - Head Unloader | 2113009 | 2 | 42 | Oil mesh | 2352002 | 1 |
| 7 | O-ring | 2N52-P18V | 2 | 43 | Rear bearing end | 3311003 | 1 |
| 8 | Inlet valve cap | 3110008 | 2 | 44 | Breather | 2321008 | 1 |
| 9 | TEE - 1/8" | 2N17-CW0201TW02 | 2 | 45 | Hex bolt | 2B00-SM10*025 | 6 |
| 10 | Hex bolt | 2B00-SM08*030 | 8 | 46 | Oil seal | 2N50-TC30*50*11 | 1 |
| 11 | Split lock washer | 2B33-M08 | 8 | 47 | Pulley | 3PBF-145A230 | 1 |
| 12 | Outlet valve cap | 3126004 | 2 | 48 | Washer | 2B34-13*52*14 | 1 |
| 13 | O-Ring | 2N52-G45V | 2 | 49 | Split lock washer | 2B33-M12 | 1 |
| 14 | Outlet valve assembly | 3B11-NPP23 | 2 | 50 | Hex bolt | 2B00-SM12*050 | 1 |
| 15 | Elbow - 3/4" | 2N06-06T06H | 3 | 51 | Intercooler | 3125001 | 1 |
| 16 | Elbow - 3/4" | 2N06-06T06T85 | 1 | 52 | Pressure relief valve | 2406007 | 1 |
| 17 | Discharge tube | 3B2-06*215 | 1 | 53 | Cylinder head | 3101055 | 1 |
| 18 | Air filter assembly | 2140009A | 2 | 54 | Hex socket head bolt | 2B01-M06*040 | 4 |
| 19 | Filter element | 1801 (2142002) | 2 | 55 | Split lock washer | 2B33-M06 | 4 |
| 20 | Gasket - Cylinder head | 2G01-007 | 2 | 56 | Gasket kit - Valve plate (HP) | 3B71-PK20 | 1 |
| 21 | Cylinder | 3201015 | 2 | 57 | Valve plate assembly (HP) | 3B13-PK20 | 1 |
| 22 | Gasket - Cylinder | 2G04-009 | 3 | 58 | Oil splasher | 2317018 | 1 |
| 23 | Piston ring kit | 3B32-80 | 2 | 59 | Unloader Cap (Bushing) | 2B26-003 | 1 |
| 24 | Piston kit | 3B31-80L | 2 | 60 | Cylinder (HP) | 3201012 | 1 |
| 25 | Rod | 2315018 | 2 | 61 | Piston ring kit (HP) | 3B32-65 | 1 |
| 26 | Bearing (Rod Bushing) | 2316001 | 6 | 62 | Piston Kit (HP) | 3B31-T65 | 1 |
| 27 | Oil splasher | 2317019 | 2 | 63 | Rod (HP) | 2315022 | 1 |
| 28 | Bolt (+) | 2B02-FM5*010 | 3 | 64 | Elbow - 1/8" | 2N16-C01TW02 | 1 |
| 29 | Stud screw | 2B11-003 | 12 | 65 | Tube - Head Unloader | 3B2-02*450 | 2 |
| 30 | Split lock washer | 2B33-M10 | 12 | 66 | Tee | 2N09-06H06T06H2 | 1 |
| 31 | Hex nut | 2B20-FM10 | 12 | 67 | Discharge tube | 3B2-06*490 | 1 |
| 32 | Crankcase | 3301017 | 1 | 68 | Spring - Head Unloader | 2S03-001 | 1 |
| 33 | Oil cap | 2319004 | 1 | 69 | O-ring | 2N52-P06V | 1 |
| 34 | Gasket - Oil Cap | 2N52-30*15 | 1 | 70 | Piston - Head Unloader (HP) | 2113015 | 1 |
| 35 | Oil sight gauge | 2303004 | 1 | 70-1 | O-ring | 2N52-P09N | 1 |
| 36 | Gasket - Oil sight gauge | 2G11-003 | 1 | 71 | O-ring | 2N52-P16*3V | 1 |